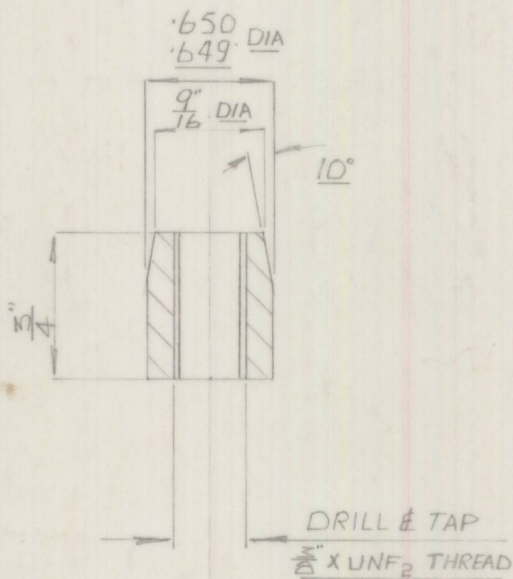
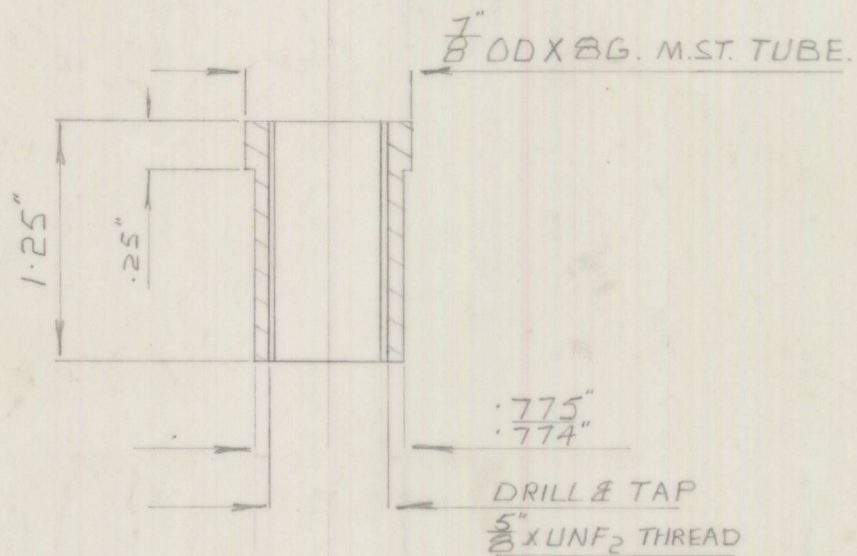


3-C-113

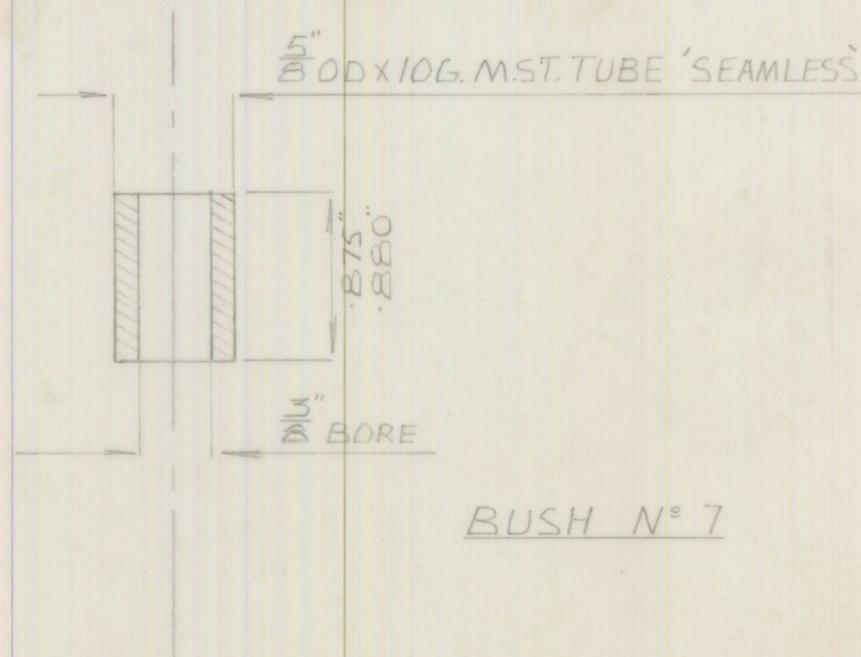
PART N°



BUSH N° 5



BUSH N° 6



BUSH N° 7

BOWIN LIMITED

SCALE

FULL SIZE

LIMITS

± .010" UNLESS OTHERWISE STATED

FINISH

DATE

25-9-67

J.V.J.	J.V.J.	DRAWN BY	MATERIAL	SPEC	CONDITION	REMARKS
2.	1.	ISSUE	MILD STEEL			
26-9-67	25-9-67	DATE				
ADDITION BUSH N° 7	NEW DRAWING	DETAILS	GA. N°	TITLE	BUSHES - FRONT UPPER WISHBONE	
		APPROVED	ASSY N°	PART N°	3-C-113.	
		MOD N°	3-C-112			